



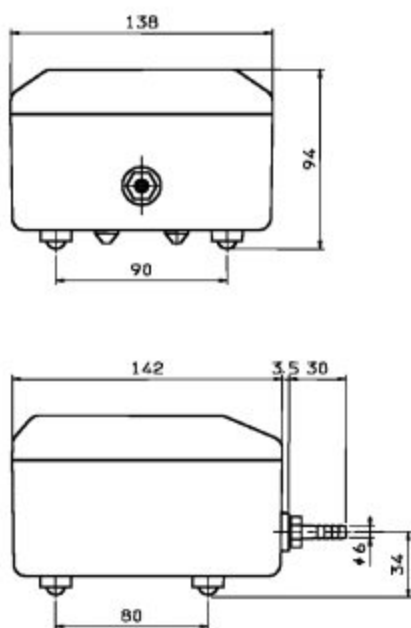
## Phoe-niX series

### MKC-510V

#### Product characteristics

- Connecting hose and air distributor included in delivery

#### Dimensions



#### Technical data

Model			MKC-510V
Air flow <sup>1)</sup>	l/min	0 mbar	20
		50 mbar	15
		100 mbar	11
		150 mbar	6
Voltage <sup>2)</sup>	VAC		230
Power consumption	W	100 mbar	9
Noise level	dB(A)		30
Dimensions	mm	L x W x H	175.5 x 138 x 94
Connection	mm	Ø outside	6
Net weight	kg		1.2

<sup>1)</sup> Product performance may vary +/- 10% from performance curves

<sup>2)</sup> Values at 50 Hz

#### Performance data

Optimal operating span

